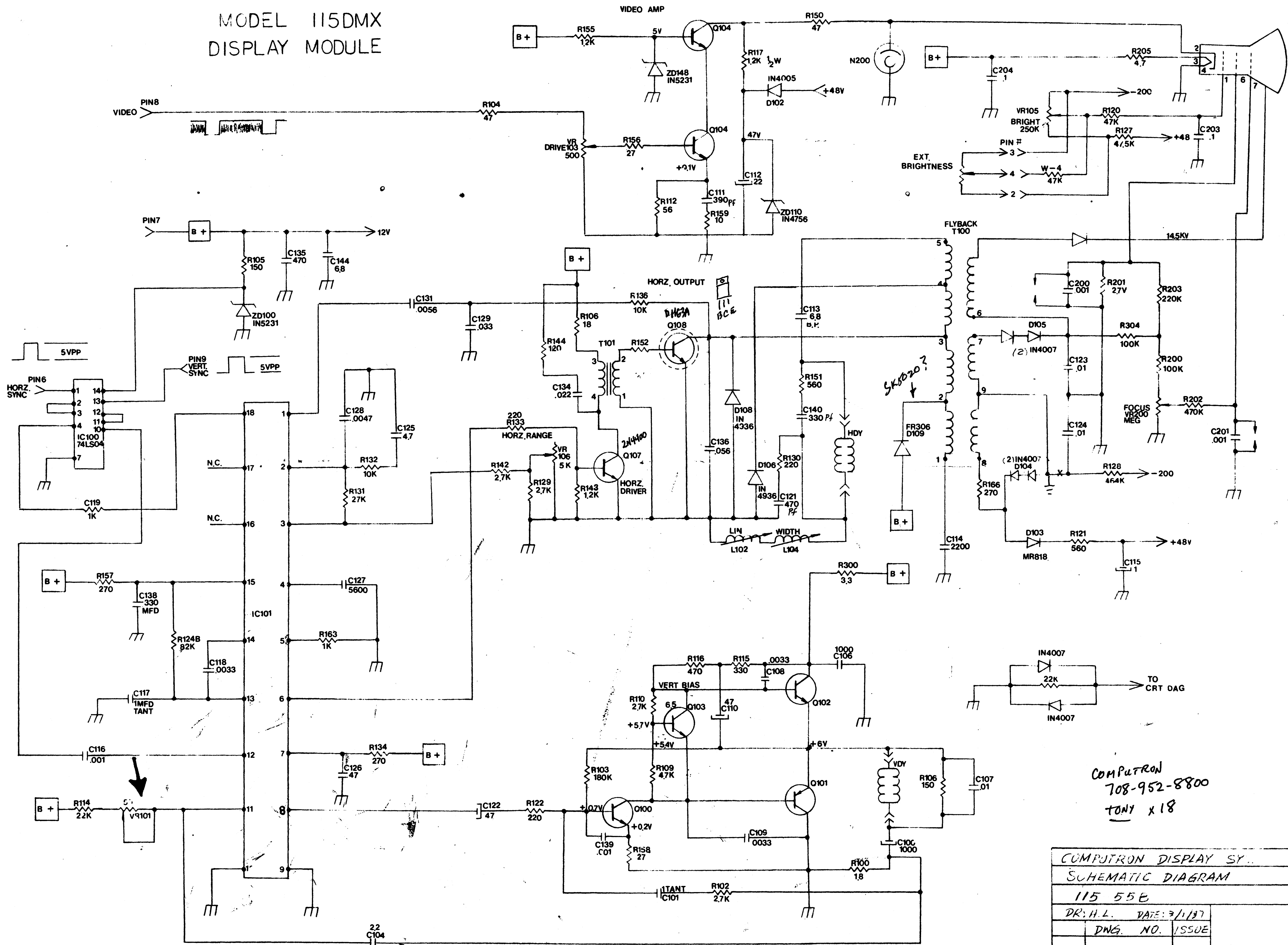


# MODEL 115DMX DISPLAY MODULE



COMPUTRON  
708-952-8800  
TONY x 18

|                       |              |
|-----------------------|--------------|
| COMPUTRON DISPLAY SY. |              |
| SCHEMATIC DIAGRAM     |              |
| 115 55E               |              |
| DR: H.L.              | DATE: 3/1/87 |
| DWG. NO.              | ISSUE        |